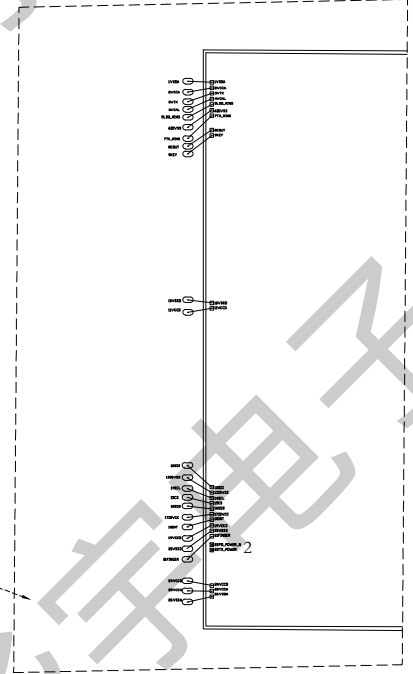
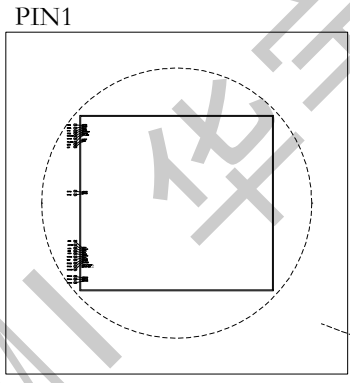
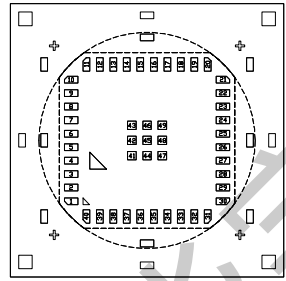
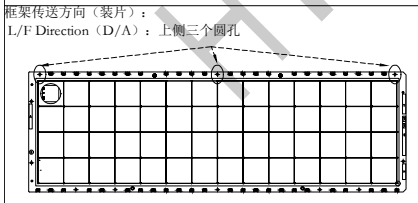
 池州华宇电子科技股份有限公司 CHI ZHOU HISEMI ELECTRONICS TECHNOLOGY CO.,LTD 焊线图纸 Bonding Diagram				客户代码 Customer No.	线图号 Drawing No.	页码 Page 1 / 2
产品名称 Product Type				封装外型 PKG Type		LGA49L(16.2X16.2X0.7-P0.8)
焊线种类 Wire Type	焊线直径(μm) Wire Diameter	焊线根数 NO. of wire	焊线总长(μm) Total wire length	最长线长(μm) Longest wire length	最短线长(μm) Shortest wire length	塑封料型号(绿色环保) Compound Type (Green)
金丝 Au	18			477	344	首选(Preferred): CEL-9750 备选(Optional):
基板编码 Substrate No.				客户图号 Customer drawing NO.		



WB放大示意图



底部示意图



特殊说明 Special Instructions:

DB注意:
1.装片位置注意芯片居中放置。

WB注意:
数字为不打线pad个数。

说明 Instructions	粘胶类型 epoxy type	芯片名称 Die name	芯片尺寸 Die Size	最小焊盘尺寸 Min BPO (μm²)	最小焊盘间距 Min BPP(μm)	锡垫厚度(μm) Pad Thickness	焊盘下是否有电路 Circuit under Pad	划片道宽度 Street line (μm)	晶圆尺寸 Wafer Size	是否是 Low-K If low-k?	减薄厚度 (μm) Wafer Thickness
A芯: DIE A	绝缘胶DAF (Non-conductive) HR-9004		9091*8231(μm²) 357.91*324.06(mil²)	50*50	78	0.9	否/NO	80	8	否/NO	265±5
B芯: DIE B											
C芯: DIE C											
拟制 Prepared by			制图日期 Create Date			生效日期 Effective Date			客户确认签字/盖章: Customer Signature		
研发审核 R&d check			产品工程审核 Product engineering check			批准 Approved by					

*温馨提示: 图纸为产品下线生产的唯一依据, 请您认真确认, 我可依据您回签后的图纸生产, 如图纸错误会产生不可估量损失, 谢谢!
*warm tips: the drawing is the only basis for the production of the product. Please confirm it carefully. Our company will produce the drawings according to the drawings you have signed back, such as drawing mistakes, which will produce inestimable loss. Thank you



池州华宇电子科技股份有限公司
CHI ZHOU HISEMI ELECTRONICS TECHNOLOGY CO.,LTD
焊线图纸 Bonding Diagram

客户代码
Customer No.
产品名称
Product Type

线图号
Drawing No.

页码 Page
2/2

封装外型
PKG Type

LGA49L(16.2X16.2X0.7-P0.8)



拟制 Prepared by		制图日期 Create Date		生效日期 Effective Date		客户确认签字/盖章: Customer Signature
研发审核 R&d check		产品工程审核 Product engineering check		批准 Approved by		

*温馨提示: 图纸为产品下线生产的唯一依据, 请您认真确认, 我司依据您回签后的图纸生产, 如图纸错误会产生不可估量损失, 谢谢!
*warm tips: the drawing is the only basis for the production of the product. Please confirm it carefully. Our company will produce the drawings according to the drawings you have signed back, such as drawing mistakes, which will produce incestimable loss. Thank you